

SB52 SoM and EVB introduction

Prepared by Lion Wang

Ver.: 1.5

2021/12/21



Outline

- EVK Pack Overview
- Hardware introduction
 - SOM specification
 - Outline and pin definition
 - Accessories assemble
 - UART debug port setting
- Software and design document introduction
 - Software refresh(Use flash_tool)
 - Reference resource (BSP & Documents)
- EVB HW and SW status

EVK PACK OVERVIEW



Evaluation Kit: Boards & Accessories



Box



Two antenna BT&WiFi

Two camera module

QRcode for quick access download center

SB52 SoM + Carrier board



HARDWARE INTRODUCTION



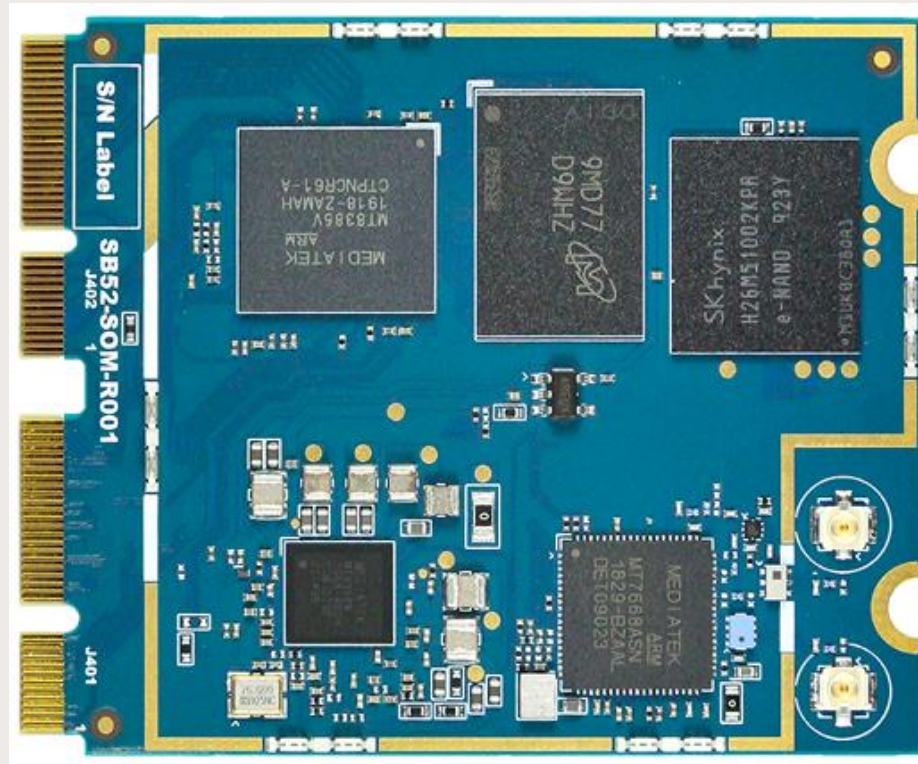
SB52 SoM Specifications 1/2

| Specifications | | Note |
|------------------------------|------------------------------------|--|
| SOM | SB52 | |
| Main Chip | MT8385 | |
| MPU | CA73 x4 @2.0GHZ, CA53 x4 @2.0GHZ | |
| GPU | Mali-G72 MP3 @700MHz | |
| Vision DSP | Tensilica VP6 x2 @500MHz | |
| RAM | LPDDR4x 2GB or 4GB | |
| Flash | eMMC, 16GB or 32GB | |
| Wireless Connectivity | MT7668 | |
| WiFi | 802.11 a/b/g/n/ac MIMO | |
| Bluetooth | BT 5.0 | |
| Display Interface | | |
| LCD | MIPI DSI, 4 lane , up to 2460x1080 | |
| HDMI | NA | |
| Camera Interface | MIPI-CSI, 4 data lanes x2, 32MP | |
| Wired Connectivity | | |
| USB Host | NA | |
| USB OTG | USB2.0 OTG | |
| Ethernet | NA | can perform Ethernet function by USB to Ethernet bridge chip |

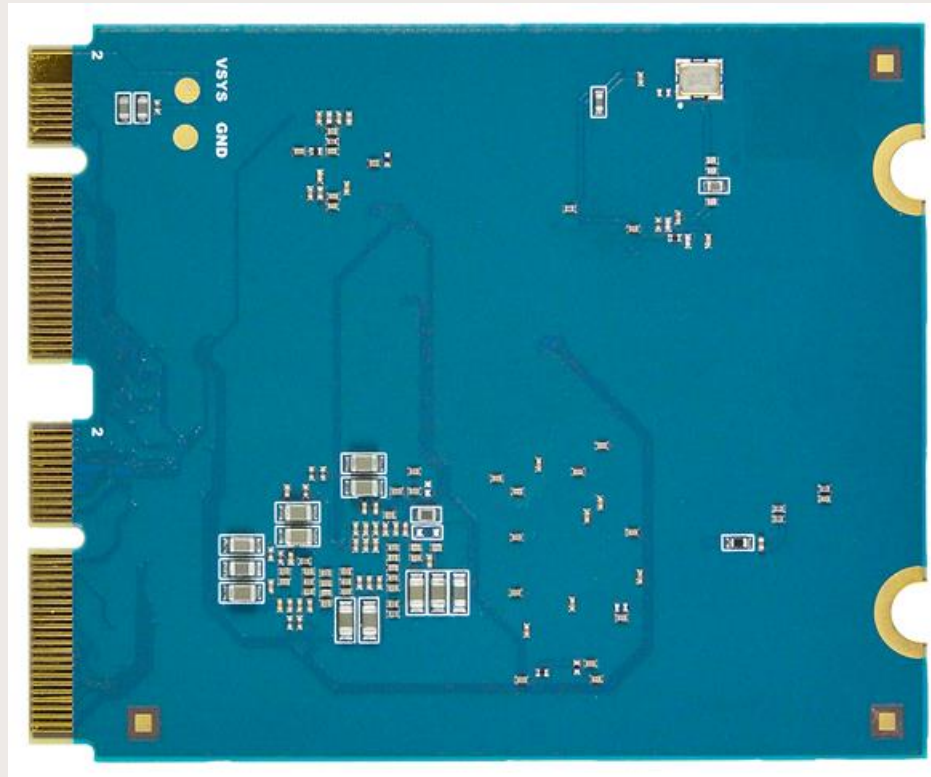
SB52 SoM Specifications 2/2

| Specifications | | Note |
|--------------------------------|--|--|
| Audio Interface | | |
| I2S | x1 | |
| D-MIC | 2 channel | |
| Earphone | R/L channel output, microphone input, button detection | |
| Other Interface | | |
| I2C | X4 | |
| SDIO | NA | |
| PWM | x2 max. | |
| SPI | x1 | |
| UART | X2 | UART0 is config as debug port by default |
| keys | 2x2 key matrix | |
| ADC | x1 | |
| GPIO | Shared with other interfaces, total pin count depends on the pin configuration | |
| Debug Interface | | |
| JTAG | x1 | Through M.2 interface |
| UART | x1 | UART0 through M.2 interface |
| Interface voltage Level | 1.8V | |
| Power supply | 3.40V~5.00V, 3.8V typical | |
| Dimension | ~ 45mm x 55mm | |
| Intrface Connector | | |
| Main | M.2 E-key x2 | |
| Optional | NA | |

SB52 illustration (Top)



SB52 illustration (Bottom)



SB52 SoM Pin Define

| SB52 Pin Function | M.21 | SB52 Pin Function |
|-------------------|-------|-------------------|
| RESET | 1 2 | VBAT |
| PWRKEY | 3 4 | VBAT |
| VCAMA2_PMU | 5 6 | VBAT |
| GND | 7 8 | VBAT |
| GND | 9 10 | GND |
| AUXIN4 | 11 12 | VBUS |
| GPIO9 | 13 14 | VRTC28_PMU |
| GPIO17 | 15 16 | GPIO10 |
| UCTS1 | 17 18 | GPIO22 |
| SDA2 | 19 20 | GPIO23 |
| SCL2 | 21 22 | GPIO24 |
| MIC_MICBIAS0 | 23 | |
| AU_VIN2_N | 33 32 | SPL_CSB |
| AU_VIN0_P | 35 34 | SPL_CK |
| AU_VIN0_N | 37 36 | SPL_MI |
| AU_REFN | 39 38 | SPL_MO |
| AUDIO_HPR | 41 40 | URTS1 |
| AUDIO_HPL | 43 42 | GPIO19 |
| GND | 45 44 | GPIO150 |
| MIC_MICBIAS1 | 47 46 | I2S1_LRCK |
| AU_VIN1_P | 49 48 | I2S1_BCK |
| AU_VIN1_N | 51 50 | I2S1_DO |
| ACCDET | 53 52 | KPROW0 |
| HP_EINT | 55 54 | URXD1 |
| GND | 57 56 | UTXD1 |
| USB_DM_P0 | 59 58 | KPCOL0 |
| USB_DP_P0 | 61 60 | KPROW1 |
| GND | 63 62 | KPCOL1 |
| SDA3 | 65 64 | SDA1 |
| SCL0 | 67 66 | SCL1 |
| GND | 69 68 | GPIO0 |
| SDA0 | 71 70 | GPIO20 |
| SCL0 | 73 72 | GPIO42 |
| VIO18_PMU | 75 74 | GPIO8 |

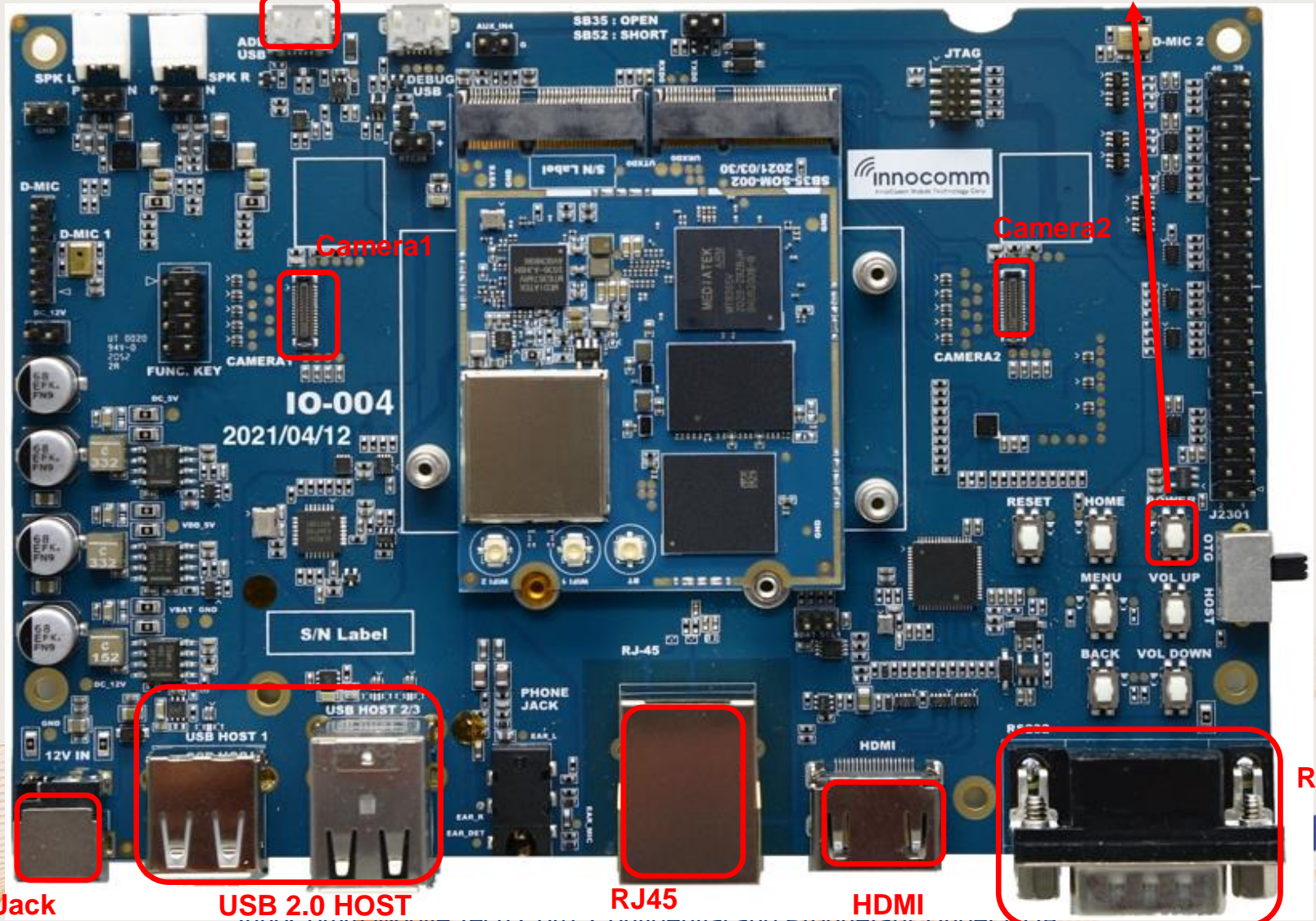
| SB52 Pin Function | M.22 | SB52 Pin Function |
|-------------------|-------|-------------------|
| AVSS28_AUD | 1 2 | VLDO28_PMU |
| GND | 3 4 | GPIO45 |
| UART_RXD0 | 5 6 | DISP_PWM |
| UART_TXD0 | 7 8 | DISP_TE |
| HOMEKEY | 9 10 | GPIO21 |
| IDDIG | 11 12 | GPIO2 |
| GPIO98 | 13 14 | GPIO1 |
| GPIO102 | 15 16 | GPIO7 |
| DSIO_D2N | 17 18 | GPIO151 |
| DSIO_D2P | 19 20 | DSIO_D3N |
| DSIO_D1N | 21 22 | DSIO_D3P |
| DSIO_D1P | 23 | |
| DSIO_D0P | 33 32 | DSIO_CK_P |
| DSIO_D0N | 35 34 | DSIO_CK_N |
| RDP3 | 37 36 | CAM_CLK0 |
| RDN3 | 39 38 | RDN2 |
| RDP1 | 41 40 | RDP2 |
| RDN1 | 43 42 | RCP |
| RDN0 | 45 44 | RCN |
| RDP0 | 47 46 | GND |
| GND | 49 48 | RDN3_A |
| VCAMA_PMU | 51 50 | RDP3_A |
| VCAMD_PMU | 53 52 | RDN2_A |
| VCAMIO_PMU | 55 54 | RDP2_A |
| GPIO101 | 57 56 | GPIO97 |
| RCP_A | 59 58 | GND |
| RCN_A | 61 60 | GPIO3 |
| GND | 63 62 | VMCH_PMU |
| CAM_CLK1 | 65 64 | GPIO177 |
| GND | 67 66 | I2S2_DI |
| RDN1_A | 69 68 | I2S1_MCK |
| RDP1_A | 71 70 | GPIO6 |
| RDN0_A | 73 72 | GPIO5 |
| RDP0_A | 75 74 | GPIO4 |

Evaluation Board illustration

ADB interface

UART Debug

Power button (Press 3s for boot)



Camera1

Camera2

Power Jack

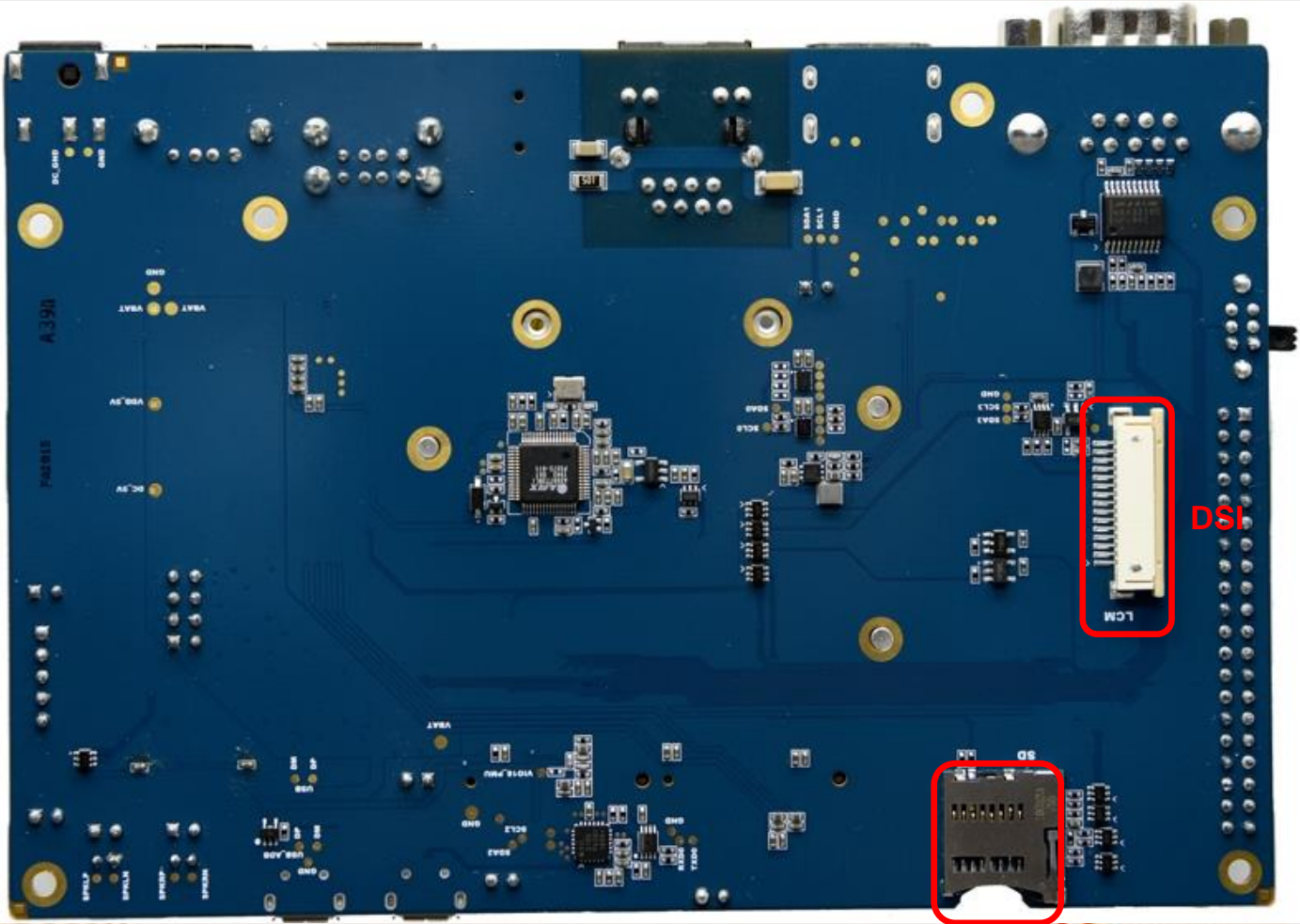
USB 2.0 HOST

RJ45

HDMI

RS232

Evaluation Board illustration



DSI

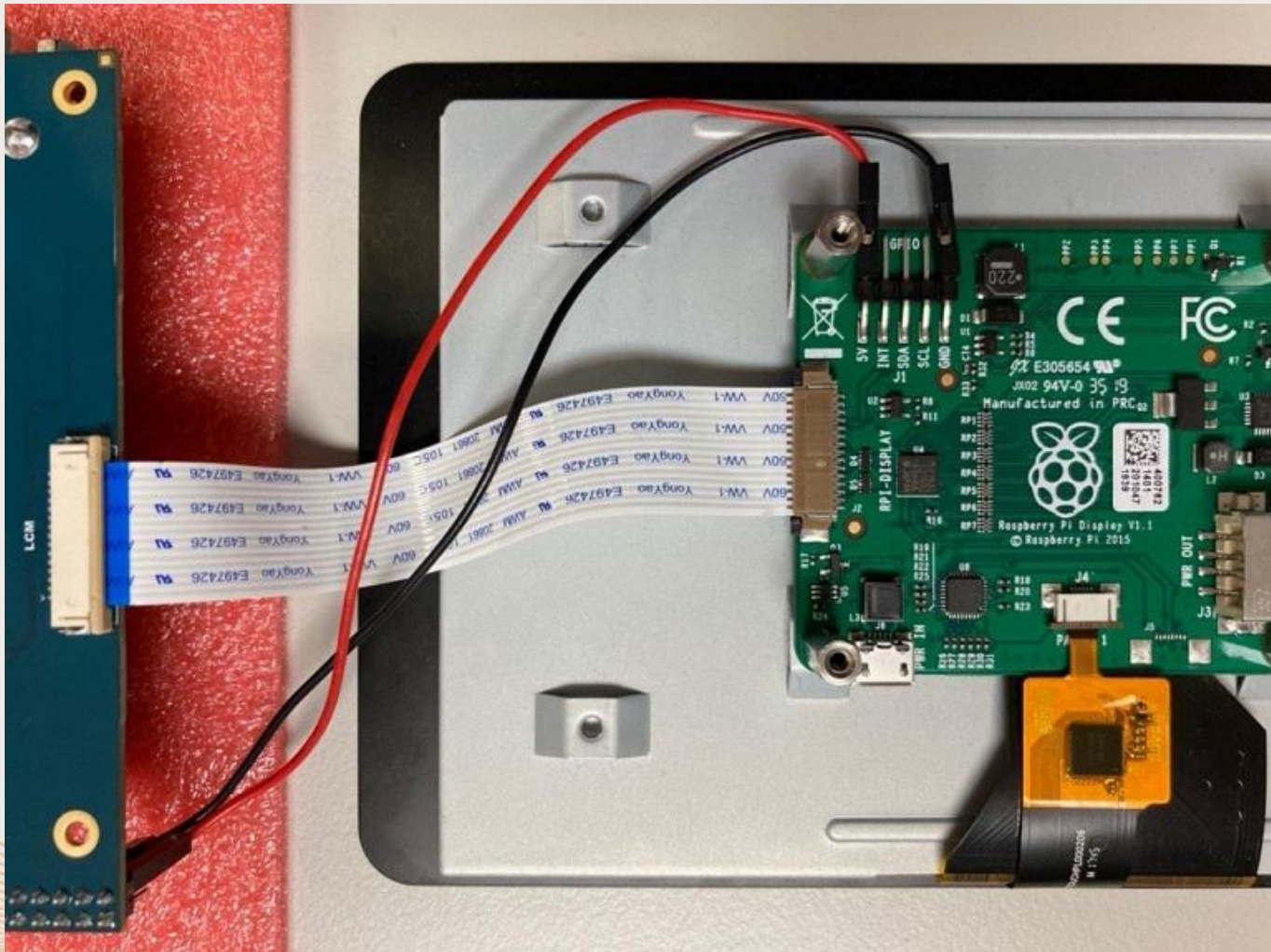
LCM

SD

SD Card
(For SB35)



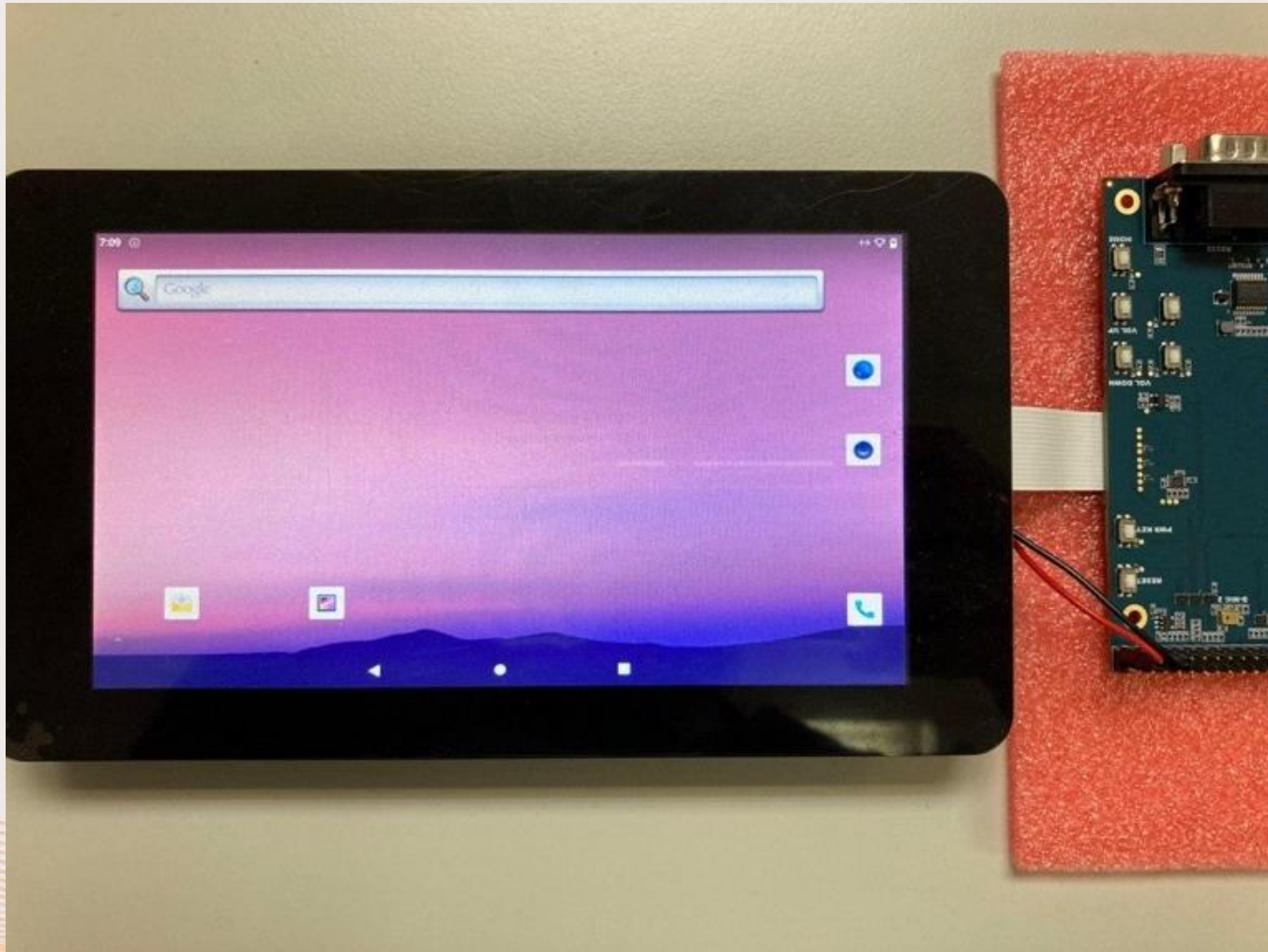
Assemble EVB with Raspberry Pi Display



mm

InnoComm Mobile Technology Corp.

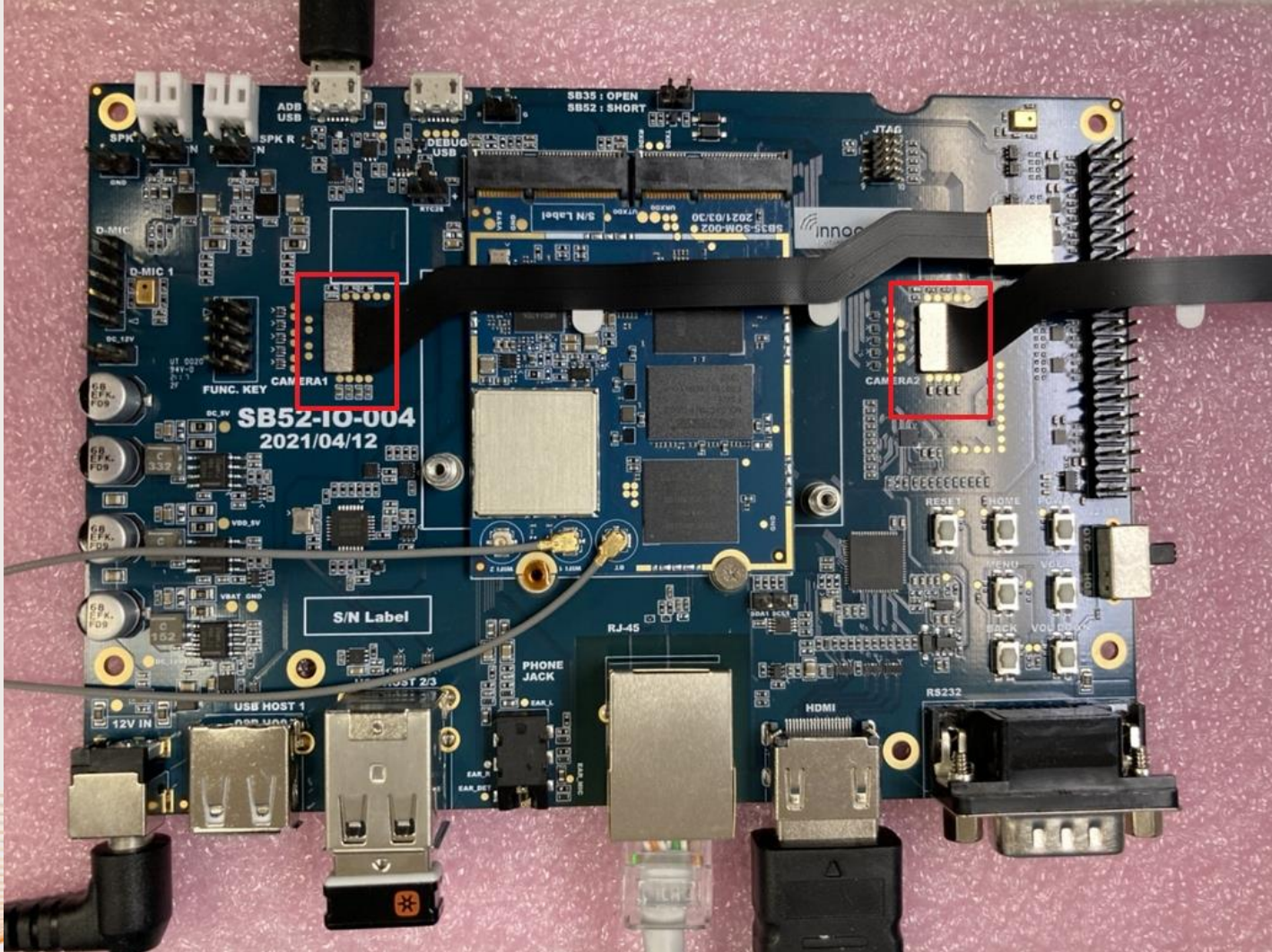
Assemble EVB with Raspberry Pi Display



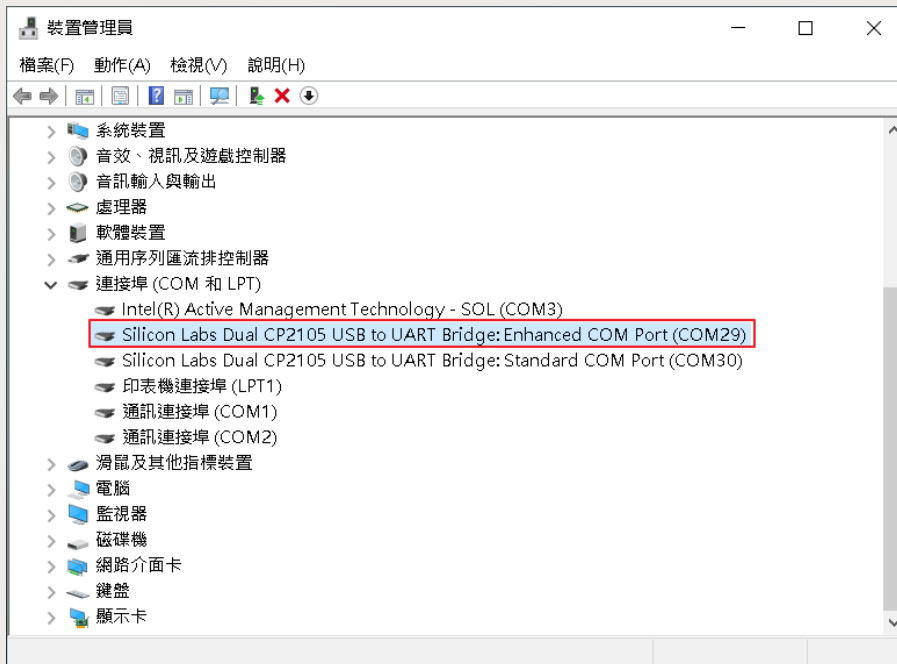
comm

InnoComm Mobile Technology Corp.

Assemble EVB with Camera 1 and 2



UART debug port setting

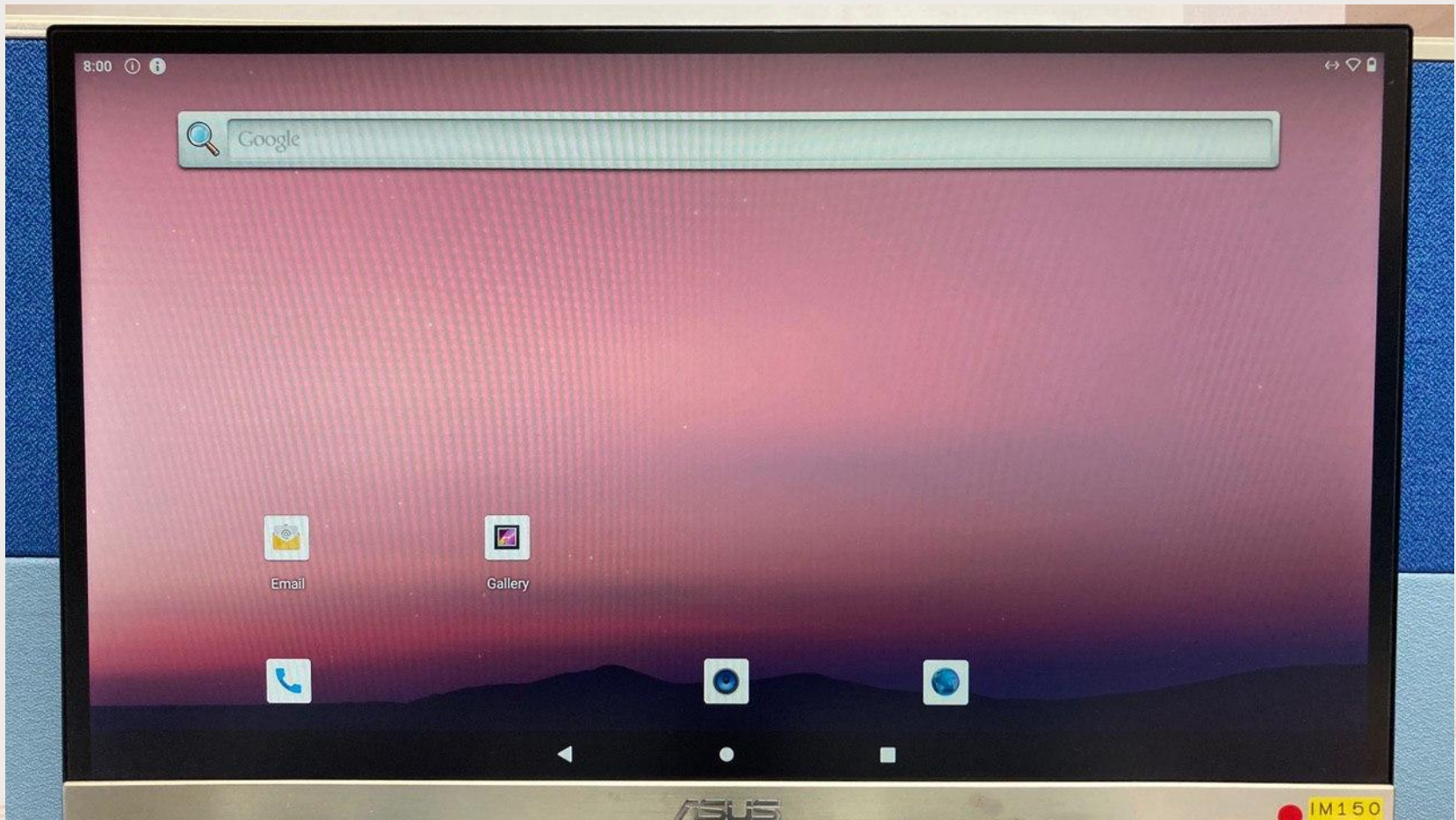


| | |
|---------------|--------|
| Port: | COM29 |
| Speed: | 921600 |
| Data: | 8 bit |
| Parity: | none |
| Stop bits: | 1 bit |
| Flow control: | none |

UART debug terminal

```
COM29 - Tera Term VT
File Edit Setup Control Window Help
[ 1093.877627] <7>.(7)[116:mdrt_thread][MDRT_ADC] trig_prd=31, rdy_time=1, MDRT_OUT=17
[ 1094.533655] <7>.(7)[116:mdrt_thread][MDRT_ADC] trig_prd=32, rdy_time=1, MDRT_OUT=17
[ 1094.926462] <7>.(7)[116:mdrt_thread]AUXADC ADC15 = 0x0
[ 1094.927110] <7>.(7)[116:mdrt_thread]AUXADC ADC16 = 0x0
[ 1094.927756] <7>.(7)[116:mdrt_thread]AUXADC ADC17 = 0x8011
[ 1094.928434] <7>.(7)[116:mdrt_thread]AUXADC ADC31 = 0x8011
[ 1094.929121] <7>.(7)[116:mdrt_thread]AUXADC MDRT_0 = 0x8040
[ 1094.929810] <7>.(7)[116:mdrt_thread]AUXADC MDRT_1 = 0x12b
[ 1094.930488] <7>.(7)[116:mdrt_thread]AUXADC MDRT_2 = 0x4
[ 1094.931144] <7>.(7)[116:mdrt_thread]AUXADC MDRT_3 = 0x1f
[ 1094.931810] <7>.(7)[116:mdrt_thread]AUXADC MDRT_4 = 0x1
[ 1094.932471] <7>.(7)[116:mdrt_thread]RG_AUXADC_CK_PDN = 0x0, RG_AUXADC_CK_PDN_HWEN = 0x1
[ 1094.933606] <7>-(7)[0:swapper/7][name:spm&]Power/swap CNT(soidle3,rgidle): [0] = (0,0), [1]
= (0,0), [2] = (0,0), [3] = (0,0), [4] = (0,0), [5] = (0,0), [6] = (0,0), [7] = (0,0),
[ 1094.933616] <7>-(7)[0:swapper/7][name:spm&]Power/swap soidle3_block_cnt: [by_frm] = 0, [by_
cpu] = 0, [by_srr] = 1636, [by_ufs] = 0, [by_tee] = 0, [by_clk] = 0, [by_des] = 0, [by_dis] =
0, [by_pwm] = 0, [by_pll] = 0, [by_boot] = 0,
[ 1094.933620] <7>-(7)[0:swapper/7][name:spm&]Power/swap soidle3_block_mask: 0x00000000, 0x000
00000, 0x00000000, 0x00000000, 0x00000000, 0x00000000, 0x00000000, 0x00000000,
[ 1094.933623] <7>-(7)[0:swapper/7][name:spm&][resource_req_block] user: 0x4, 0x0
[ 1095.386242] <1>.(1)[106:dlpt_notify_thr][MDRT_ADC] OLD = 0x11, NOW = 0x11, CNT = 0
[ 1095.387583] <1>.(1)[106:dlpt_notify_thr]vbat_out_old=37360, vthr=696, T_curr=336, vbat_out=
37379
[ 1095.388761] <1>.(1)[106:dlpt_notify_thr]mt635x-auxadc mt635x-auxadc: name:BATADC, channel=0
, adc_out=0x588f, adc_result=3738
[ 1095.391823] <1>.(1)[106:dlpt_notify_thr]vbat_out_old=37370, vthr=696, T_curr=336, vbat_out=
37389
[ 1095.392963] <1>.(1)[106:dlpt_notify_thr]mt635x-auxadc mt635x-auxadc: name:BATADC, channel=0
, adc_out=0x5897, adc_result=3739
[ 1095.394372] <1>.(1)[106:dlpt_notify_thr][PBM] [ma_to_mw] 3739(mV) * 3376(mA) = 12622(mW)
[ 1095.395420] <1>.(1)[106:dlpt_notify_thr][DLPT_final] 3376,50,50,1,5500
```

HDMI Display



Switch Camera in Android Camera app



SOFTWARE & DOCUMENT INTRODUCTION



Software refresh(Use flash_tool)

- Install **Driver_Auto_Installer** and unzip **SP_Flash_Tool**
- Run **flash_tool.exe**

| 名稱 | 修改日期 | 類型 | 大小 |
|------------------------|-------------------|--------------------|-----------|
| codecs | 2019/6/26 下午 0... | 檔案資料夾 | |
| imageformats | 2019/6/26 下午 0... | 檔案資料夾 | |
| sqldrivers | 2019/6/26 下午 0... | 檔案資料夾 | |
| assistant.exe | 2019/6/26 下午 0... | 應用程式 | 1,181 KB |
| BromAdapterTool.ini | 2019/6/26 下午 0... | 組態設定 | 1 KB |
| console_mode.xsd | 2019/6/26 下午 0... | XSD 檔案 | 28 KB |
| CustPT.ini | 2019/6/26 下午 0... | 組態設定 | 1 KB |
| DA_PL.bin | 2019/6/26 下午 0... | BIN 檔案 | 13,619 KB |
| DA_PL_CRYPT020.bin | 2019/6/26 下午 0... | BIN 檔案 | 13,619 KB |
| DA_SWSEC.bin | 2019/6/26 下午 0... | BIN 檔案 | 3,962 KB |
| DA_SWSEC_CRYPT020.bin | 2019/6/26 下午 0... | BIN 檔案 | 3,962 KB |
| dl_without_scatter.xml | 2019/6/26 下午 0... | nRFgoStudio.nRF... | 2 KB |
| download_scene.ini | 2019/6/26 下午 0... | 組態設定 | 1 KB |
| flash_tool.exe | 2019/6/26 下午 0... | 應用程式 | 10,293 KB |
| flashtool.qch | 2019/6/26 下午 0... | QCH 檔案 | 6,432 KB |
| flashtool.qhc | 2019/6/26 下午 0... | QHC 檔案 | 12 KB |

Software refresh(Use flash_tool)

- Follow steps in below to set flash tool **Download-Agent** and **Scatter file** for image.

Smart Phone Flash Tool(Runtime Trace Mode)

File Options Window Help

Welcome Format Download Readback Memory Test

Download Stop

Download-Agent choose

Scatter-loading File choose

Authentication File choose

Download Only

| <input checked="" type="checkbox"/> | Name | Begin Address | End Address | Region | Local |
|-------------------------------------|-----------------|---------------------|---------------------|------------------|--------|
| <input checked="" type="checkbox"/> | preloader | 0x0000000000000000 | 0x000000000003f957 | EMMC_BOOT1_BOOT2 | D:\Dov |
| <input checked="" type="checkbox"/> | boot_para | 0x00000000000008000 | 0x0000000000047fff | EMMC_USER | D:\Dov |
| <input checked="" type="checkbox"/> | para | 0x00000000000108000 | 0x00000000000147fff | EMMC_USER | D:\Dov |
| <input checked="" type="checkbox"/> | logo | 0x00000000010d00000 | 0x00000000010ed320f | EMMC_USER | D:\Dov |
| <input checked="" type="checkbox"/> | vbmeta_a | 0x00000000011500000 | 0x00000000011500fff | EMMC_USER | D:\Dov |
| <input checked="" type="checkbox"/> | vbmeta_system_a | 0x00000000011d00000 | 0x00000000011d00fff | EMMC_USER | D:\Dov |
| <input checked="" type="checkbox"/> | vbmeta_vendor_a | 0x00000000012500000 | 0x00000000012500fff | EMMC_USER | D:\Dov |
| <input checked="" type="checkbox"/> | spmfw_a | 0x00000000012d00000 | 0x00000000012d0cddf | EMMC_USER | D:\Dov |
| <input checked="" type="checkbox"/> | scp_a | 0x00000000012e00000 | 0x00000000012e99ebf | EMMC_USER | D:\Dov |
| <input checked="" type="checkbox"/> | cpm_a | 0x00000000013400000 | 0x000000000134791bf | EMMC_USER | D:\Dov |

0 B/s 0 Bytes EMMC High Speed 0:00 USB: DA Download All(high speed, auto detect)

Software refresh(Use flash_tool)

- Plug in Micro USB cable to OTG connector for download image from PC
- Select **Download Only** then **Power off**
- Click **Download** then **Power on**

Smart Phone Flash Tool(Runtime Trace Mode)

File Options Window Help

Welcome Format Download Readback Memory Test

Download 4 Stop

Download-Agent choose

Scatter-loading File choose

Authentication File choose

Download Only 3

| <input checked="" type="checkbox"/> | Name | Begin Address | End Address | Region | Loca |
|-------------------------------------|-----------------|---------------------|----------------------|------------------|--------|
| <input checked="" type="checkbox"/> | preloader | 0x0000000000000000 | 0x00000000000003f957 | EMMC_BOOT1_BOOT2 | D:\Dov |
| <input checked="" type="checkbox"/> | boot_para | 0x00000000000008000 | 0x000000000000047fff | EMMC_USER | D:\Dov |
| <input checked="" type="checkbox"/> | para | 0x00000000000108000 | 0x00000000000147fff | EMMC_USER | D:\Dov |
| <input checked="" type="checkbox"/> | logo | 0x00000000010d00000 | 0x00000000010ed320f | EMMC_USER | D:\Dov |
| <input checked="" type="checkbox"/> | vbmeta_a | 0x00000000011500000 | 0x00000000011500fff | EMMC_USER | D:\Dov |
| <input checked="" type="checkbox"/> | vbmeta_system_a | 0x00000000011d00000 | 0x00000000011d00fff | EMMC_USER | D:\Dov |
| <input checked="" type="checkbox"/> | vbmeta_vendor_a | 0x00000000012500000 | 0x00000000012500fff | EMMC_USER | D:\Dov |
| <input checked="" type="checkbox"/> | spmfw_a | 0x00000000012d00000 | 0x00000000012d0cdf | EMMC_USER | D:\Dov |
| <input checked="" type="checkbox"/> | scp_a | 0x00000000012e00000 | 0x00000000012e99ebf | EMMC_USER | D:\Dov |
| <input checked="" type="checkbox"/> | ... | ... | ... | EMMC_USER | D:\Dov |

0 B/s | 0 Bytes | EMMC High Speed | 0:00 | USB: DA Download All(high speed,auto detect)

Software refresh(Use flash_tool)

Smart Phone Flash Tool(Runtime Trace Mode)

File Options Window Help

Welcome Format Download Readback Memory Test

Download Stop

Download-Agent: Flash_tool_and_Image\SP_Flash_Tool_exe_Windows_v5.1928.01.000\MTK_AllInOne_DA.bin

Scatter-loading File: D:\Download\MKT_Flash_tool_and_Image\release_2020-03-26-14-53-18_alps_sb52_sb52_10_

Authentication File:

Download Only

| <input checked="" type="checkbox"/> | Name | Begin Address | End Address | Region | Location |
|-------------------------------------|-----------------|--------------------|--------------------|------------------|------------|
| <input checked="" type="checkbox"/> | preloader | 0x0000000000000000 | 0x000000000003f957 | EMMC_BOOT1_BOOT2 | D:\Downlo. |
| <input checked="" type="checkbox"/> | boot_para | 0x0000000000008000 | 0x0000000000047fff | EMMC_USER | D:\Downlo. |
| <input checked="" type="checkbox"/> | para | 0x0000000000108000 | 0x0000000000147fff | EMMC_USER | D:\Downlo. |
| <input checked="" type="checkbox"/> | logo | 0x0000000010d00000 | 0x0000000010d320f | EMMC_USER | D:\Downlo. |
| <input checked="" type="checkbox"/> | vbmeta_a | 0x0000000011500000 | 0x0000000011500fff | EMMC_USER | D:\Downlo. |
| <input checked="" type="checkbox"/> | vbmeta_system_a | 0x0000000011d00000 | 0x0000000011d00fff | EMMC_USER | D:\Downlo. |
| <input checked="" type="checkbox"/> | vbmeta_vendor_a | 0x0000000012500000 | 0x0000000012500fff | EMMC_USER | D:\Downlo. |
| <input checked="" type="checkbox"/> | spmfw_a | 0x0000000012d00000 | 0x0000000012d0cddf | EMMC_USER | D:\Downlo. |
| <input checked="" type="checkbox"/> | scp_a | 0x0000000012e00000 | 0x0000000012e99ebf | EMMC_USER | D:\Downlo. |

Chip Info

Chip Name: MT6771

Chip Version: 00ca00

Ext Clock: T_26M

Extern RAM Type: DRAM

EMMC Flash

[cam_vpu3_a] Download Flash 100%

| | | | | | |
|----------|---------|------|------------|------|---|
| 10.41M/s | 138.68K | EMMC | High Speed | 0:04 | MediaTek PreLoader USB VCOM (Android) (COM31) |
|----------|---------|------|------------|------|---|

Software refresh(Use flash_tool)

Smart Phone Flash Tool(Runtime Trace Mode)

File Options Window Help

Welcome Format Download Readback Memory Test

Download Stop

Download-Agent Flash_tool_and_Image\SP_Flash_Tool_exe_Windows_v5.1928.01.000\MTK_AllInOne_DA.bin choose

Scatter-loading File D:\Download\MKT_Flash_tool_and_Image\release_2020-03-26-14-53-18_alps_sb52_sb52_10 choose

Authentication File choose

Download Only

| <input checked="" type="checkbox"/> | Name | Address | Region | Location |
|-------------------------------------|-----------------|--------------------|------------------|------------|
| <input checked="" type="checkbox"/> | preloader | 0x000003f957 | EMMC_BOOT1_BOOT2 | D:\Downlo. |
| <input checked="" type="checkbox"/> | boot_para | 0x0000047ff | EMMC_USER | D:\Downlo. |
| <input checked="" type="checkbox"/> | para | 0x0000147ff | EMMC_USER | D:\Downlo. |
| <input checked="" type="checkbox"/> | logo | 0x000010ed320f | EMMC_USER | D:\Downlo. |
| <input checked="" type="checkbox"/> | vbmeta_a | 0x0000000011500000 | EMMC_USER | D:\Downlo. |
| <input checked="" type="checkbox"/> | vbmeta_system_a | 0x0000000011d00000 | EMMC_USER | D:\Downlo. |
| <input checked="" type="checkbox"/> | vbmeta_vendor_a | 0x0000000012500000 | EMMC_USER | D:\Downlo. |
| <input checked="" type="checkbox"/> | spmfw_a | 0x0000000012d00000 | EMMC_USER | D:\Downlo. |
| <input checked="" type="checkbox"/> | scp_a | 0x0000000012e00000 | EMMC_USER | D:\Downlo. |
| <input checked="" type="checkbox"/> | ... | ... | ... | ... |

Download Ok

[userdata] Download Flash 100%

17.87M/s 860.26K **EMMC** High Speed 1:33 MediaTek PreLoader USB VCOM (Android) (COM31)

Chip Info

Chip Name: MT6771

Chip Version: 00ca00

Ext Clock: T_26M

Extern RAM Type: DRAM

EMMC Flash

Reference Resources: Documentation, Sources & Tools

Design Documentation:

- SB52_Android_User_Guide
- SB52_Flash_Tool_Download_Guide
- SB52_SOM_Datasheet
- SB52-SOM-Development-Kit-Hardware-User-Guide
- SB52_CARRIER BOARD SCHEMATIC

Flash tool & Source code:

- Driver_Auto_Installer_EXE_v5.1632.00.zip
- SP_Flash_Tool_exe_Windows_v5.1928.01.000.zip
- SP_Flash_Tool_exe_Linux_v5.1928.01.100.zip
- sb52.q0.mp1.r1616.tar.xz.zip



Software Reference Development Guide

- SB52_Android_User_Guide

This tutorial guides developers how to build Android Pie 10 with the SB52 board. It provides manuals for:

1. Setting up a Linux® OS build machine.
2. Building SB52 Android system images.
3. Downloading the images to SB52 development board.

- For more information about building the Android platform, please check <https://source.android.com/setup>

Flash Tool User Guide

- SB52_Flash_Tool_Download_Guide

This tutorial guides developers how to download the images using MediaTek flash tool to SB52 development board.

Hardware Datasheet

- SB52_SOM_Datasheet

This document gives you a better idea about SB52, MTK i500 System-on-Module hardware specification. In this document, it covers high level CPU specification, pin assignment, architecture, block diagram and interface description.

SB52EVK Hardware User Guide

- SB52-SOM-Development-Kit-Hardware-User-Guide

SB52 SOM development kit is composed of a SB52 SOM and a carrier board. This user guide will introduce Carrier's IO and connector pin define.

SB52EVK Carrier Board Schematic

- SB52_CARRIER BOARD SCHEMATIC

For customer reference SB52 carrier board circuit design.



EVB HW & SW Status

Hardware

- Raspberry Pi Display can't run with HDMI at the same time.
- Don't support HDMI audio output.

Software

- Operation System: Android 10 / Yocto kernel 4.4
- Google Play Store is not included & APK can be installed manually.

Camera module information

OV8856

CMOS 8-megapixel (3264x2448) Image Sensor

Supplier Contact Window:

Rick Chen

香港瑞晶光电科技有限公司

HONGKONG RICHTEK PHOTO-ELECTRONICS LIMITED

珠海市彩韵电子科技有限公司

ZHUHAISHI CAIYUN ELECTRONICS CO.,LTD

Tel:+86-756-6290870

Mobile Phone: +8613726229313 +886 931683305

E-mail: rickchen@richtek-hk.com



Certification

CE

FCC ID:YAISB52

MIC



Support Pack

- Download center: documentation
 - Member Registration: <http://www.innocomm.com/en/getaquote.aspx>
 - Documents Available : <http://www.innocomm.com/download.aspx>
 - Module specification
 - EVB (carrier board) Hardware manual and schematic (by request)
 - Android User Guide and Flash Tool Download Guide
 - MTK Drivers customization documents
- Free Support
 - FAE SW & HW consult fae@innocomm.com
 - Carrier board schematics for reference. Design consultant.
 - Peripherals QVL list (Display, camera module, antenna...) : Refer to MTK QVL.
 - MTK e-Service
 - Technical Forum <http://forum.innocomm.com>
 - Android & Linux BSP for all. Source code release.
 - Module 2D/3D file
- Paid Support Service
 - Case by case

APPENDIX



History

| Version | Date | By | Change Description |
|---------|------------|-----------|--|
| 1.0 | 2020/6/18 | Lion Wang | 1st initial version |
| 1.1 | 2020/6/30 | Lion Wang | Update Android OS version. |
| 1.2 | 2020/11/18 | Lion Wang | Update Camera module information |
| 1.3 | 2021/1/18 | Lion Wang | Update Certification information |
| 1.4 | 2021/6/1 | Lion Wang | Update for R003 IO board |
| 1.5 | 2021/12/21 | Lion Wang | Update don't support HDMI audio output information |
| | | | |